



# 45Ω, SPDT Analog Switch in SOT23-8

**MAX4649**

## General Description

The MAX4649 is a dual-supply, single-pole/double-throw (SPDT) analog switch. On-resistance is 45Ω max and flat (7Ω max) over the specified signal range. The MAX4649 can handle Rail-to-Rail® analog signals, and conducts analog or digital signals equally well in either direction. This switch operates from a single +9V to +36V supply, or from ±4.5V to ±20V dual supplies. The primary application areas are in the switching and routing of signals in telecommunications and test equipment.

The MAX4649 features a switch transition time of 130ns max at +25°C, and a guaranteed break-before-make switching time of 5ns. Off-leakage current is only 2nA max at +25°C.

The MAX4649 is available in a tiny 8-pin SOT23 package.

## Applications

- PBX, PABX Systems
- Communication Systems
- DSL
- Test Equipment
- Avionics
- Audio Systems
- Redundant Systems
- Relay Replacement
- PC Multimedia Boards

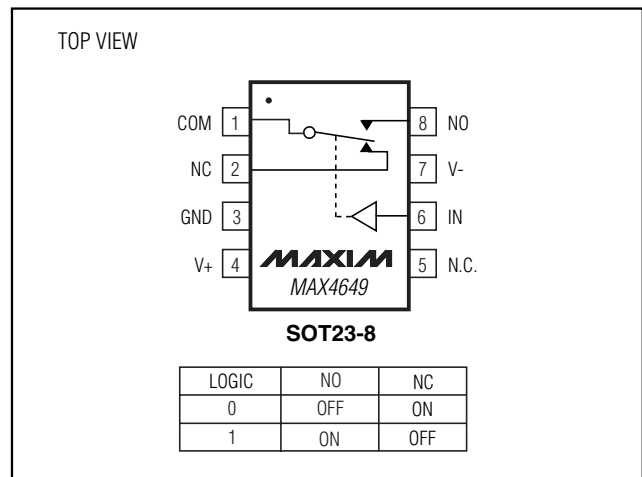
## Features

- ◆ Low On-Resistance 45Ω max ±15V Supplies
- ◆ 5Ω max RON Match Between Channels
- ◆ Guaranteed RON Flatness Over Specified Signal Range (7Ω max)
- ◆ VL Logic Supply Not Required
- ◆ Rail-to-Rail Signal Handling
- ◆ +9V to +36V Single Supply Operation
- ◆ ±4.5V to ±20V Dual Supply Operation
- ◆ Low Crosstalk: -92dB at 1MHz
- ◆ High Off-Isolation: -92dB at 1MHz
- ◆ TTL/CMOS-Compatible Control Inputs

## Ordering Information

PART	TEMP. RANGE	PIN-PACKAGE	TOP MARK
MAX4649EKA-T	-40°C to +85°C	8-SOT23	AAIE

## Pin Configuration



*Rail-to-Rail is a registered trademark of Nippon Motorola, Inc.*



# 45Ω, SPDT Analog Switch in SOT23-8

## ABSOLUTE MAXIMUM RATINGS

(Voltages referenced to GND.)

V+ .....	-0.3V to +44.0V	Continuous Power Dissipation (T <sub>A</sub> = +70°C)	
V- .....	-44.0V to +0.3V	8-Pin SOT23 (derate 8.9mW/°C above +70°C).....	714mW
V+ to V-.....	-0.3V to +44.0V	Operating Temperature Range	
All Other Pins (Note 1) .....	(V- - 0.3V) to (V+ + 0.3V)	MAX4649EKA .....	-40°C to +85°C
Continuous Current into any Terminal .....	±10mA	Storage Temperature Range .....	-65°C to +150°C
Continuous Current (COM, NO, NC) .....	±30mA	Junction Temperature .....	+150°C
Peak Current (COM, NO, NC)		Lead Temperature (soldering, 10s) .....	+300°C
(pulsed at 1ms, 10% duty cycle).....	±60mA		

**Note 1:** Signals on NO, NC, COM, or IN exceeding V+ or V- are clamped by internal diodes. Limit forward-diode current to maximum current rating.

Stresses beyond those listed under "Absolute Maximum Ratings" may cause permanent damage to the device. These are stress ratings only, and functional operation of the device at these or any other conditions beyond those indicated in the operational sections of the specifications is not implied. Exposure to absolute maximum rating conditions for extended periods may affect device reliability.

## ELECTRICAL CHARACTERISTICS—Dual ±15V Supplies

(V+ = +15V, V- = -15V, V<sub>IH</sub> = 2.4V, V<sub>IL</sub> = 0.8V, T<sub>A</sub> = T<sub>MIN</sub> to T<sub>MAX</sub>, unless otherwise noted. Typical values are at T<sub>A</sub> = +25°C.) (Notes 2, 3)

PARAMETER	SYMBOL	CONDITIONS	T <sub>A</sub>	MIN	TYP	MAX	UNITS
<b>ANALOG SWITCH</b>							
Analog Signal Range	V <sub>NO</sub> , V <sub>NC</sub> , V <sub>COM</sub>			V-		V+	V
On-Resistance	R <sub>ON</sub>	I <sub>COM</sub> = 1mA; V <sub>NO</sub> or V <sub>NC</sub> = ±10V	+25°C		33	45	Ω
			T <sub>MIN</sub> to T <sub>MAX</sub>			60	
On-Resistance Matching Between Channels	ΔR <sub>ON</sub>	I <sub>COM</sub> = 1mA; V <sub>NO</sub> or V <sub>NC</sub> = ±10V	+25°C		0.6	5	Ω
			T <sub>MIN</sub> to T <sub>MAX</sub>			6	
On-Resistance Flatness (Note 4)	R <sub>FLAT</sub> (ON)	I <sub>COM</sub> = 1mA; V <sub>NO</sub> or V <sub>NC</sub> = +5V, 0, -5V	+25°C		1.5	7	Ω
			T <sub>MIN</sub> to T <sub>MAX</sub>			10	
NO or NC Off-Leakage Current	I <sub>NO(OFF)</sub> or I <sub>NC(OFF)</sub>	V <sub>COM</sub> = -14V, +14V; V <sub>NO</sub> or V <sub>NC</sub> = +14V, -14V	+25°C	-2	0.01	2	nA
			T <sub>MIN</sub> to T <sub>MAX</sub>	-10		10	
COM On-Leakage Current	I <sub>COM(ON)</sub>	V <sub>COM</sub> = +14V, -14V; V <sub>NO</sub> or V <sub>NC</sub> = +14V, -14V or floating	+25°C	-4		4	nA
			T <sub>MIN</sub> to T <sub>MAX</sub>	-20		20	
<b>DIGITAL I/O</b>							
Input Logic High Voltage	V <sub>IH</sub>			2.4			V
Input Logic Low Voltage	V <sub>IL</sub>					0.8	V
Input Leakage	I <sub>IN</sub>	V <sub>IN</sub> = 0 or +5V		-1		1	μA

# 45Ω, SPDT Analog Switch in SOT23-8

MAX4649

## ELECTRICAL CHARACTERISTICS—Dual ±15V Supplies (continued)

(V<sub>+</sub> = +15V, V<sub>-</sub> = -15V, V<sub>IH</sub> = 2.4V, V<sub>IL</sub> = 0.8V, T<sub>A</sub> = T<sub>MIN</sub> to T<sub>MAX</sub>, unless otherwise noted. Typical values are at T<sub>A</sub> = +25°C.) (Notes 2, 3)

PARAMETER	SYMBOL	CONDITIONS	T <sub>A</sub>	MIN	TYP	MAX	UNITS
<b>DYNAMIC CHARACTERISTICS</b>							
Transition Time	t <sub>TRANS</sub>	V <sub>NO</sub> or V <sub>NC</sub> = ±10V; R <sub>L</sub> = 1kΩ; C <sub>L</sub> = 35pF; Figure 2	+25°C		90	130	ns
			T <sub>MIN</sub> to T <sub>MAX</sub>			170	
Break-Before-Make Delay	t <sub>D</sub>	V <sub>NO</sub> or V <sub>NC</sub> = ±10V; R <sub>L</sub> = 300Ω; C <sub>L</sub> = 35pF; Figure 3	+25°C	5	10		ns
			T <sub>MIN</sub> to T <sub>MAX</sub>	2			
Charge Injection	Q	V <sub>GEN</sub> = 0; R <sub>GEN</sub> = 0; C <sub>L</sub> = 1nF; Figure 4			2		pC
Off-Isolation	V <sub>ISO</sub>	f = 1MHz, R <sub>L</sub> = 50Ω, C <sub>L</sub> = 5pF, V <sub>COM</sub> = 1V <sub>RMS</sub> ; Figure 5			92		dB
Crosstalk		f = 1MHz, R <sub>L</sub> = 50Ω, C <sub>L</sub> = 5pF; Figure 6			92		
Total Harmonic Distortion	THD	f = 20Hz to 20kHz, R <sub>L</sub> = 600Ω, 5V <sub>RMS</sub>			0.015		%
V <sub>NO</sub> or V <sub>NC</sub> Off-Capacitance	C <sub>NO(OFF)</sub> , C <sub>NC(OFF)</sub>	f = 1MHz; Figure 7			6		pF
COM On-Capacitance	C <sub>COM(ON)</sub>	f = 1MHz; Figure 8			17		pF
<b>POWER SUPPLY</b>							
Power-Supply Range				±4.5		±20	V
Positive Supply Current	I <sub>+</sub>	V <sub>IN</sub> = 5V	+25°C		38	75	μA
			T <sub>MIN</sub> to T <sub>MAX</sub>			100	
		V <sub>IN</sub> = 0 or V <sub>+</sub>	+25°C		0.01	1	
			T <sub>MIN</sub> to T <sub>MAX</sub>			10	
Negative Supply Current	I <sub>-</sub>	V <sub>IN</sub> = 0 or 5V	+25°C		0.01	1	μA
			T <sub>MIN</sub> to T <sub>MAX</sub>			10	

# 45Ω, SPDT Analog Switch in SOT23-8

## ELECTRICAL CHARACTERISTICS—Single +12V Supply

(V<sub>+</sub> = +12V, V<sub>-</sub> = 0, V<sub>IH</sub> = 2.4V, V<sub>IL</sub> = 0.8V, T<sub>A</sub> = T<sub>MIN</sub> to T<sub>MAX</sub>, unless otherwise noted. Typical values are at T<sub>A</sub> = +25°C.) (Notes 2, 3)

PARAMETER	SYMBOL	CONDITIONS	T <sub>A</sub>	MIN	TYP	MAX	UNITS
<b>ANALOG SWITCH</b>							
Analog Signal Range	V <sub>NO</sub> , V <sub>NC</sub> , V <sub>COM</sub>			0		V <sub>+</sub>	V
On-Resistance	R <sub>ON</sub>	I <sub>COM</sub> = 1mA; V <sub>NO</sub> or V <sub>NC</sub> = +10V	+25°C	68	90		Ω
			T <sub>MIN</sub> to T <sub>MAX</sub>			115	
On-Resistance Matching Between Channels	ΔR <sub>ON</sub>	I <sub>COM</sub> = 1mA; V <sub>NO</sub> or V <sub>NC</sub> = +10V	+25°C	0.7	6		Ω
			T <sub>MIN</sub> to T <sub>MAX</sub>			7	
On-Resistance Flatness (Note 4)	R <sub>FLAT (ON)</sub>	I <sub>COM</sub> = 1mA; V <sub>NO</sub> or V <sub>NC</sub> = +2V, +6V, +10V	+25°C	9	17		Ω
			T <sub>MIN</sub> to T <sub>MAX</sub>			23	
<b>DYNAMIC</b>							
Transition Time	t <sub>TRANS</sub>	V <sub>NO</sub> or V <sub>NC</sub> = 0, 10V or 10V, 0; R <sub>L</sub> = 1kΩ; C <sub>L</sub> = 35pF; Figure 2	+25°C	116	165		ns
			T <sub>MIN</sub> to T <sub>MAX</sub>			200	
Break-Before-Make Delay	t <sub>D</sub>	V <sub>NO</sub> or V <sub>NC</sub> = +10V; R <sub>L</sub> = 300Ω; C <sub>L</sub> = 35pF; Figure 3	+25°C	1	36		ns
			T <sub>MIN</sub> to T <sub>MAX</sub>	1			
Charge Injection	Q	V <sub>GEN</sub> = 0; R <sub>GEN</sub> = 0; C <sub>L</sub> = 1nF; Figure 4	+25°C		1		pC
<b>POWER SUPPLY</b>							
Power Supply Range				9		36	V
Positive Supply Current	I <sub>+</sub>	V <sub>IN</sub> = +5V	+25°C	22	40		μA
			T <sub>MIN</sub> to T <sub>MAX</sub>			50	
		V <sub>IN</sub> = 0 or V <sub>+</sub>	+25°C	0.01	1		
			T <sub>MIN</sub> to T <sub>MAX</sub>			10	

**Note 2:** The algebraic convention is used in this data sheet; the most negative value is shown in the minimum column.

**Note 3:** All parts are 100% tested at +25°C. Limits across the full temperature range are guaranteed by design and correlation.

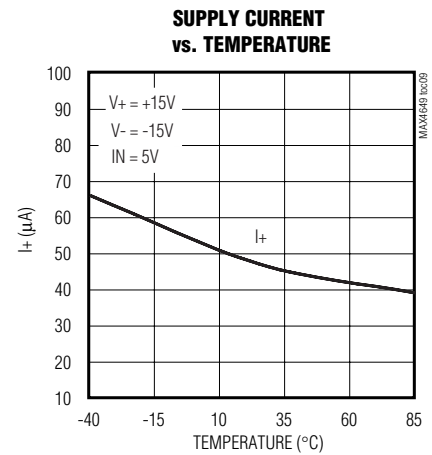
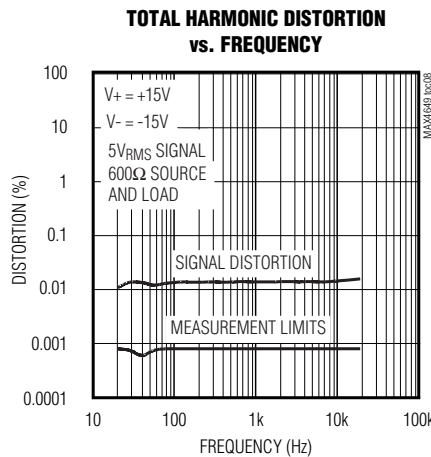
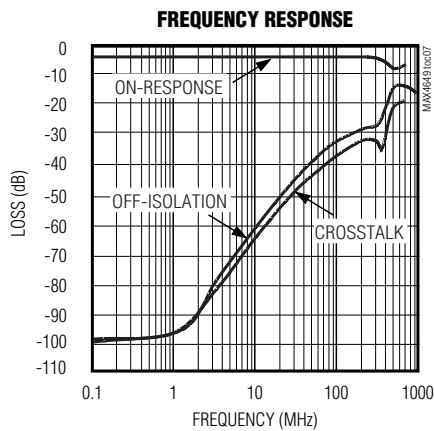
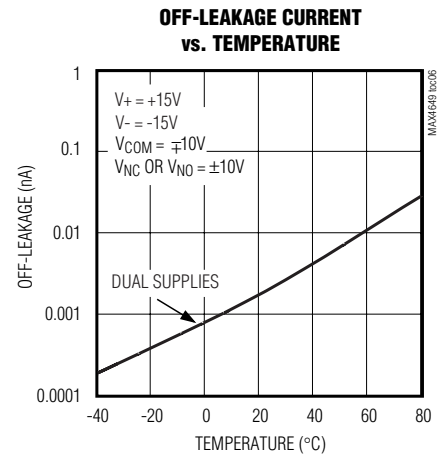
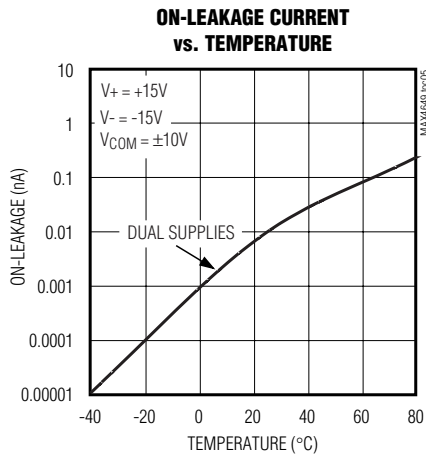
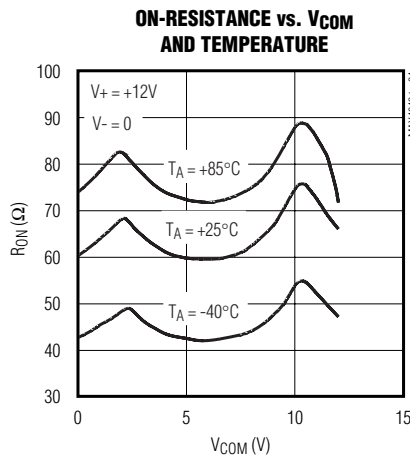
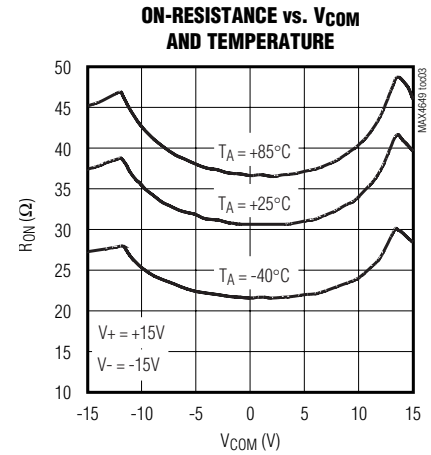
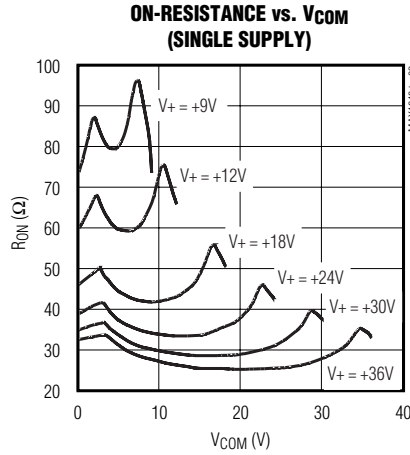
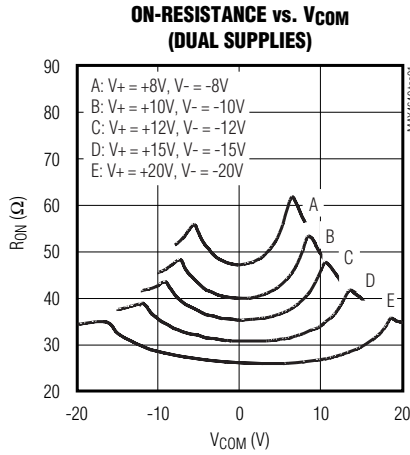
**Note 4:** Flatness is defined as the difference between the maximum and minimum value of on-resistance as measured over the specified analog signal range.

# 45Ω, SPDT Analog Switch in SOT23-8

## Typical Operating Characteristics

( $T_A = +25^\circ\text{C}$ , unless otherwise noted.)

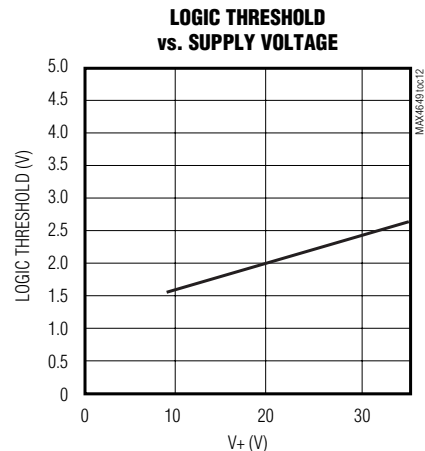
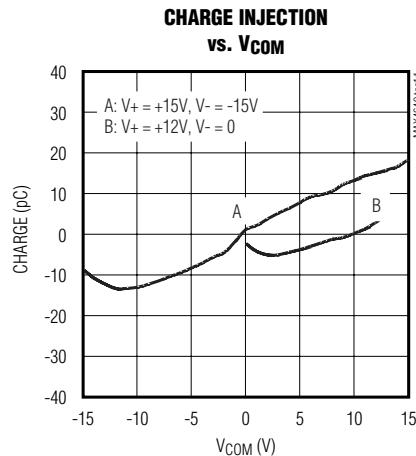
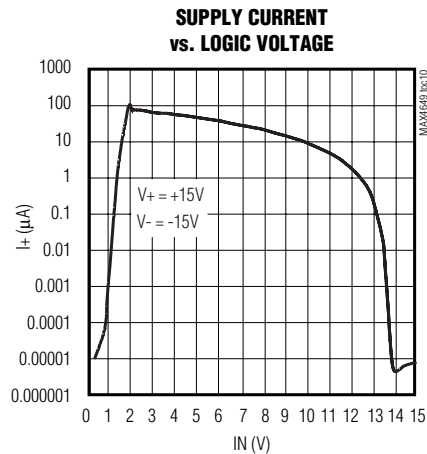
MAX4649



# 45Ω, SPDT Analog Switch in SOT23-8

## Typical Operating Characteristics (continued)

( $T_A = +25^\circ\text{C}$ , unless otherwise noted.)



## Pin Description

PIN	NAME	FUNCTION
1	COM	Analog Switch Common
2	NC	Normally Closed Switch Terminal. NC is connected to COM when IN is low.
3	GND	Ground
4	$V_+$	Positive Supply Voltage Input
5	N.C.	No Connection
6	IN	Digital Control Input
7	$V_-$	Negative Supply Voltage Input
8	NO	Normally Open Switch Terminal. NO is connected to COM when IN is high.

## Detailed Description

The MAX4649 is a high-voltage, single-pole/double-throw (SPDT) analog switch that operates from dual  $\pm 4.5\text{V}$  to  $\pm 20\text{V}$  supplies or from a single  $+9\text{V}$  to  $+36\text{V}$  supply. The MAX4649 has one normally closed (NC) switch and one normally open (NO) switch. CMOS switch construction allows bidirectional processing of rail-to-rail analog signals.

The MAX4649 has break-before-make switching. The transition time for switching from one input to the other is typically 90ns. The off-leakage is typically less than 10pA, and on-leakage is typically less than 20pA.

## Applications Information

### Overvoltage Protection

Proper power-supply sequencing is recommended for all CMOS devices. Do not exceed the absolute maximum ratings, because stresses beyond the listed ratings can cause permanent damage to the devices. Always sequence  $V_+$  on first, then  $V_-$ , followed by the logic inputs, NO\_, or COM. If power-supply sequencing is not possible, add two small signal diodes (D1, D2) in series with supply pins (Figure 1). Adding diodes reduces the analog signal range to one diode drop below  $V_+$  and one diode drop above  $V_-$ , but does not affect the device's low switch resistance and low

# 45Ω, SPDT Analog Switch in SOT23-8

**MAX4649**

leakage characteristics. Device operation is unchanged, and the difference between  $V_+$  and  $V_-$  should not exceed 44V. These protection diodes are not recommended when using a single supply.

### Off-Isolation at High Frequencies

In 50Ω systems, the high-frequency on-response of these parts extends from DC to above 300MHz, with a typical loss of -3.6dB. When the switch is turned off,

however, it behaves like a capacitor, and off-isolation decreases with increasing frequency. This effect is more pronounced with higher source and load impedances. Above 5MHz, circuit board layout becomes critical. The graphs shown in the *Typical Operating Characteristics* were taken using a 50Ω source and load connected with BNC connectors.

## Test Circuits/Timing Diagrams

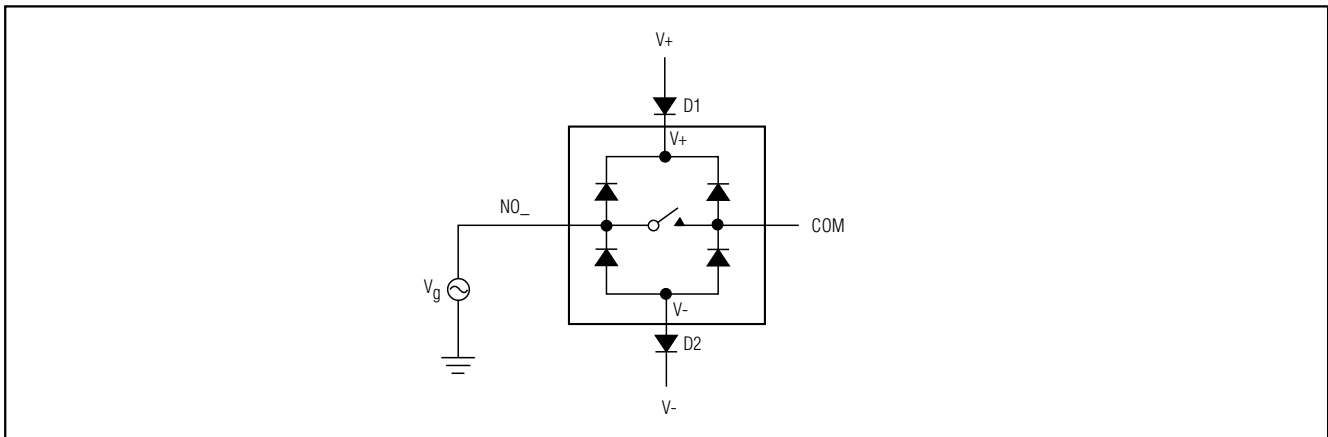


Figure 1. Overvoltage Protection

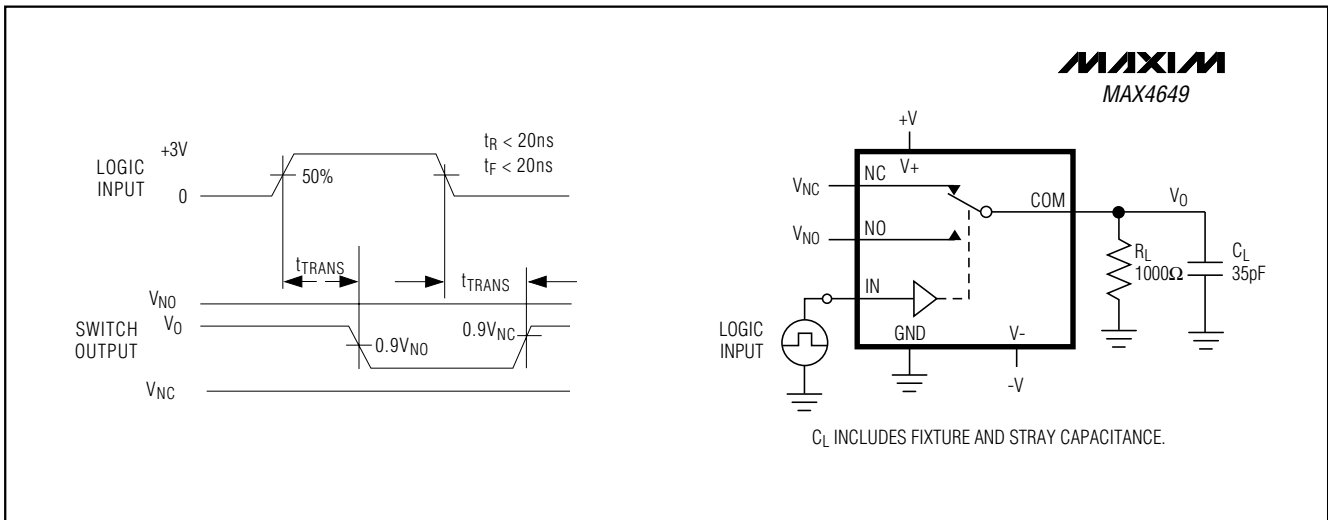


Figure 2. MAX4649 Transition Time

# 45Ω, SPDT Analog Switch in SOT23-8

## Test Circuits/Timing Diagrams (continued)

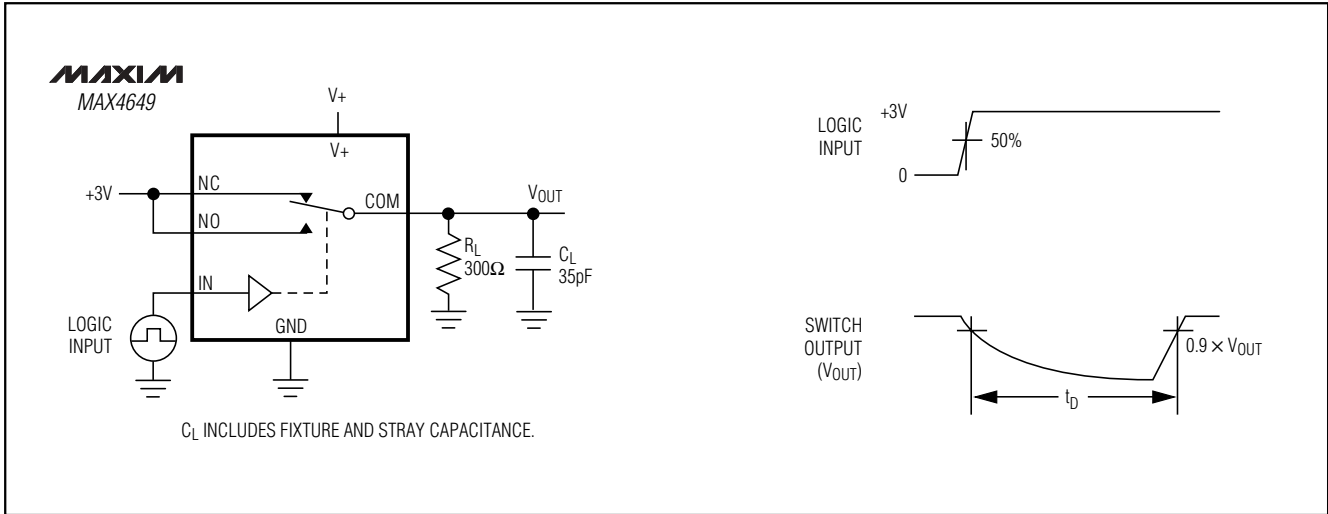


Figure 3. MAX4649 Break-Before-Make Test Circuit

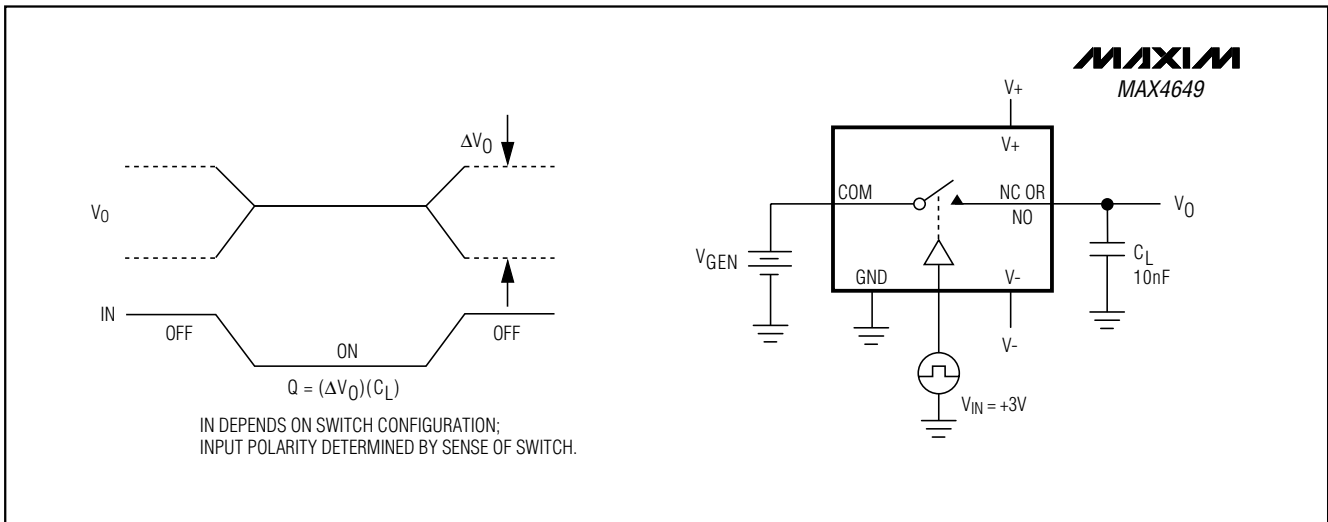


Figure 4. Charge Injection



# 45Ω, SPDT Analog Switch in SOT23-8

## Test Circuits/Timing Diagrams (continued)

**MAX4649**

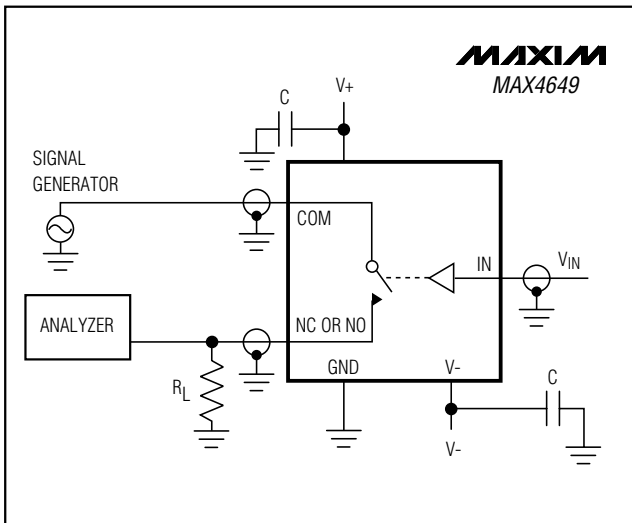


Figure 5. Off-Isolation

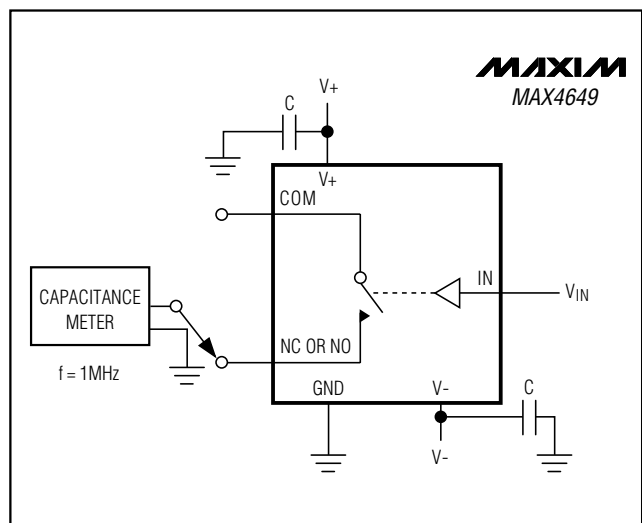


Figure 7. Channel-Off Capacitance

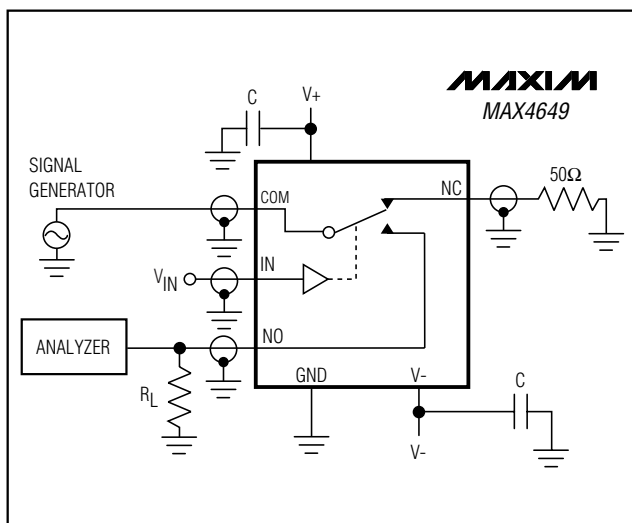


Figure 6. Crosstalk Between Switches

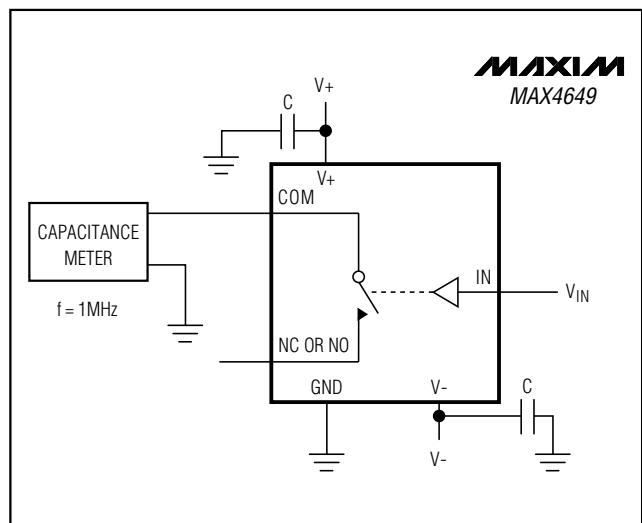


Figure 8. COM On-Capacitance

### Chip Information

TRANSISTOR COUNT: 33  
PROCESS TECHNOLOGY: CMOS

# 45Ω, SPDT Analog Switch in SOT23-8

## Package Information

SYMBOL	MIN	MAX
A	0.90	1.45
A1	0.00	0.15
A2	0.90	1.30
b	0.28	0.45
C	0.09	0.20
D	2.80	3.00
E	2.60	3.00
E1	1.50	1.75
L	0.10	0.60
e	0.65 ref	
e1	1.95 ref	
α	0°	10°

NOTE:

1. ALL DIMENSIONS ARE IN MILLIMETERS.
2. FOOT LENGTH MEASURED REFERENCE TO FLAT FOOT SURFACE PARALLEL TO DATUM "A".
3. PACKAGE OUTLINE EXCLUSIVE OF MOLD FLASH & METAL BURR.
4. PACKAGE OUTLINE INCLUSIVE OF SOLDER PLATING.
5. EIAJ REF. NUMBER SC-74 (6 LEAD VERSION)
6. COPLANARITY 4 MILS. MAX.
7. PIN 1 I.D. DOT IS 0.3 MM Ø MIN. LOCATED ABOVE PIN 1.

SOT23, 8LEPS

<b>MAXIM</b>		
<small>PROPRIETARY INFORMATION</small>		
TITLE: PACKAGE OUTLINE, SOT 23, 8L		
APPROVAL	DOCUMENT CONTROL NO. 21-0078	REV B 1/1

Maxim cannot assume responsibility for use of any circuitry other than circuitry entirely embodied in a Maxim product. No circuit patent licenses are implied. Maxim reserves the right to change the circuitry and specifications without notice at any time.

10 \_\_\_\_\_ **Maxim Integrated Products, 120 San Gabriel Drive, Sunnyvale, CA 94086 408-737-7600**